

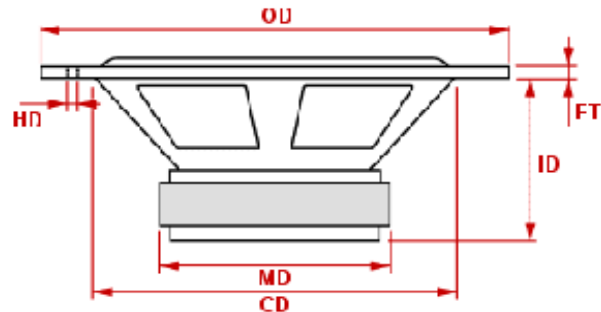
Tannoy DC 1688 SATURN S6

Stock code DWTA101

Nominal impedance	n/a
Minimum impedance	n/a
Maximum impedance	43.88
DC resistance	7.74
Voice coil inductance	1.56
Resonant frequency	51.81
Mechanical Q factor	2.825
Electrical Q factor	0.605
Total Q factor	0.498
F ratio	n/a
Efficiency factor %	0.34



OD	178
CD	145
MD	120
ID	115
FT	
NH - number of mounting holes	4
HH - hole to hole centre	180
Cm - cone material	PLASTIC



Mechanical resistance	n/a
Mechanical loss	n/a
Moving mass	17.75
Suspension compliance	0.53
Effective cone dia	135
Effective piston area	n/a
Equivalent volume VAS	15.29
Force factor	8.6
Reference sensitivity	87.35
Voice coil diameter	n/a
Voice coil length	n/a
Voice coil layers	n/a
Flux density gap	n/a
Total useful flux	n/a
Height of magnet gap	n/a
Diameter magnet	n/a
Height magnet	n/a
Weight magnet	n/a
IEC power handling	n/a
Max linear SPL	n/a
Xmax peak	n/a
Nominal power	n/a
Frequency range	n/a
Net weight	n/a
Recommended box volume	n/a
Recommended port diameter	n/a
Recommended port length	n/a

