

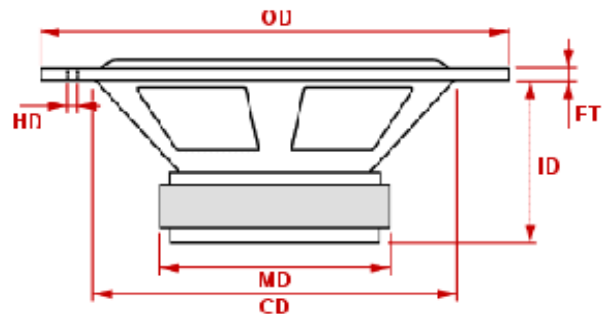
Tannoy DC 2041 D500 D500MKLL

Stock code DWTA104

Nominal impedance	n/a
Minimum impedance	n/a
Maximum impedance	49
DC resistance	8.04
Voice coil inductance	1.37
Resonant frequency	43.74
Mechanical Q factor	2.418
Electrical Q factor	0.475
Total Q factor	0.397
F ratio	n/a
Efficiency factor %	0.82



OD	210
CD	175
MD	120
ID	120
FT	
NH - number of mounting holes	4
HH - hole to hole centre	215
Cm - cone material	PLASTIC



Mechanical resistance	n/a
Mechanical loss	n/a
Moving mass	17.45
Suspension compliance	0.76
Effective cone dia	165
Effective piston area	n/a
Equivalent volume VAS	48.72
Force factor	9.01
Reference sensitivity	91.23
Voice coil diameter	n/a
Voice coil length	n/a
Voice coil layers	n/a
Flux density gap	n/a
Total useful flux	n/a
Height of magnet gap	n/a
Diameter magnet	n/a
Height magnet	n/a
Weight magnet	n/a
IEC power handling	n/a
Max linear SPL	n/a
Xmax peak	n/a
Nominal power	n/a
Frequency range	n/a
Net weight	n/a
Recommended box volume	n/a
Recommended port diameter	n/a
Recommended port length	n/a

