

MODEL WITH TRANSFORMER INSTALLING THE SPEAKER/SUB PLATE ASSEMBLY (SEE FIG. 2)

The RED and BLACK wires are connected to the transformer as follows:

The BLACK lead to the transformer primary "common" lead. The RED lead is connected to the desired wattage tap.

WITHOUT TRANSFORMER

The RED wire connects to the crossover terminal with the red dot. (Positive terminal). The BLACK lead connects to the unmarked terminal. (Negative terminal).

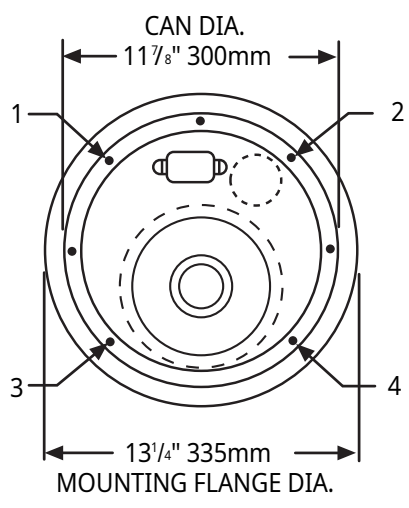
After connecting the RED and BLACK leads to the speaker/sub assembly can be attached to the enclosure.

Fasten the sub plate to the enclosure by inserting the silver screws in the holes labeled 1, 2, 3, and 4, as shown on Fig. 1.

The four remaining holes are used to fasten the grille to the enclosure. Use the white painted screws provided. Do not over-tighten screws. Removable locktite on these screws is recommended.

Note: A tile bridge is required for most applications.

F I G U R E 1



F I G U R E 2

