

TANNOY

Ceiling Monitor Systems

CMS 8 TDC



DESCRIPTION

Premium quality best describes the family of Tannoy products known as CMS (Ceiling Monitor Systems) that have fast become the new benchmark for ceiling loudspeakers in all applications. The latest addition to the family is the CMS 8 TDC, utilizing Tannoy's proprietary 8-inch Dual Concentric transducer. Operating as a full bandwidth, single point source, the CMS 8 TDC provides reference quality music playback, superior vocal articulation and fortified low frequency extension previously unavailable at any price. Every aspect of design fully complements the drive unit's capability.

The TEQ880 and 880-PL are the optimum tuned enclosures, custom manufactured to our exacting standards specifically for the Tannoy 8-inch Dual Concentric transducer. The rubber coated, heavily damped back box features a cross-braced stiffening board that provides an acoustically inert enclosure, achieving superior low frequency extension. The TEQ880 employs knockouts for easy straight-through wiring, while the TEQ880-PL is

sealed for installations requiring a plenum-rated back box.

The high-quality minimalist crossover network used in conjunction with the Tannoy High Performance THP 60 Watt multi-tap transformer produces a high sensitivity system with wide dynamic range and extended frequency response with even, controlled dispersion. If your requirements call for unrivaled excellence, the CMS 8 TDC is the key to your next successful installation.

FEATURES

- 8" H.F. Point Source Dual Concentric Driver
- High-Sensitivity Low Insertion Loss
- Controlled Wide Directivity
- Magnetic Fluid Cooled
- Injection Molded LF Cone with Rubber Surround
- Edge Wound Voice Coil on HF and LF
- Premium Minimalist Crossover, Utilizing Film Capacitors Throughout
- THP 60 Watt, Multi-Tap, High-Performance Line Transformer
- Optimum Tuned, Vented Enclosure
- Five-Year Warranty

APPLICATIONS

The CMS 8 TDC is best suited for high-level music and speech reinforcement applications requiring high performance such as:

- Foreground Music/Paging Systems
- Multi-Room Stereo Systems
- Home Theater systems
- Multi-Channel Zoning for Recording or Playback
- Reception/Waiting Rooms
- Live Theater Under Balcony or Fill
- Houses of Worship
- Lounges, Bars, Boutiques
- Boardrooms and Offices
- Airports, Convention Centers, Hotels, Casinos

ARCHITECTURAL SPECIFICATIONS

The Ceiling Monitor System shall consist of an 8-inch full-range, single point source Dual Concentric transducer; a cascaded first order high frequency; first order low frequency with positive acoustic polarity frequency dividing system. This system shall be powered by the THP 60 high-performance transformer offering 25V, 70.7V and 100 Volt operation with 7.5, 15, 30 and 60 Watt taps available.

Performance of the ceiling monitor shall meet or exceed the following criteria: frequency response 1 meter on axis with swept sine wave shall be 45 Hz to 20 KHz ± 3 dB; sensitivity shall be at least 91dB for 1 Watt; 1 Meter with minimal insertion loss accounted for.

The driver impedance and maximum power handling (without transformer) shall be 175 Watts at 8 Ohms.

The enclosure shall be an optimally tuned, vented enclosure utilizing square grill, round grill and tile bridge options, and shall not exceed the following dimensions: H 12", W 15", D 15", (H 305mm, W 381mm, D 381mm) (including back can). The Ceiling Monitor System shall be the Tannoy ... CMS 8 TDC.

CMS 8 TDC

WARRANTY

As with all Tannoy professional products the Contractor Series range is covered with a 5-year warranty from the date of manufacture subject to the absence of misuse, overload or accidental damage. No claims will be considered if the serial number has been altered or removed.

Warranty work should be carried out only by an authorized Tannoy Contractor Series dealer/service agent.

This warranty in no way affects your statutory rights.

Our policy commits us to incorporating improvements to our products through continuous research and development. Please confirm current specifications for critical applications with your supplier.



TANNOY/TGI NORTH AMERICA INC.
300 GAGE AVE., UNIT 1
KITCHENER, ONTARIO, CANADA N2M 2C8
PHONE: (519) 745-1158 FAX: (519) 745-2364

TANNOY LTD.,
ROSEHALL INDUSTRIAL ESTATE,
COATBRIDGE, STRATHCLYDE
M15 4TF, SCOTLAND
PHONE: (1236) 420199
TLX: 778621 TANMFG G. FAX: (1236) 428230

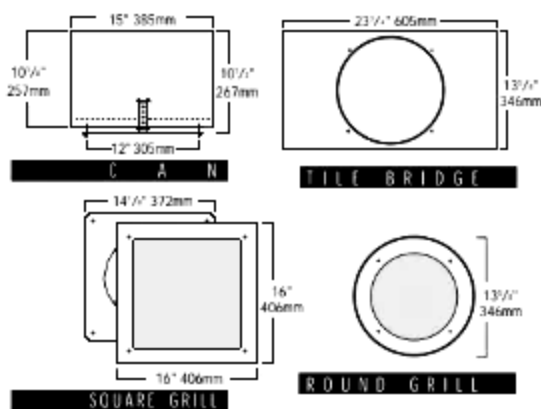
TANNOY NEDERLAND B.V.,
ANTH. KULLSTRAS 19
3066 GS ROTTERDAM
THE NETHERLANDS.
PHONE: 011 31 1028 60555,
FAX: 011 31 1028 60431

WEB SITE: <http://www.tannoy.com>

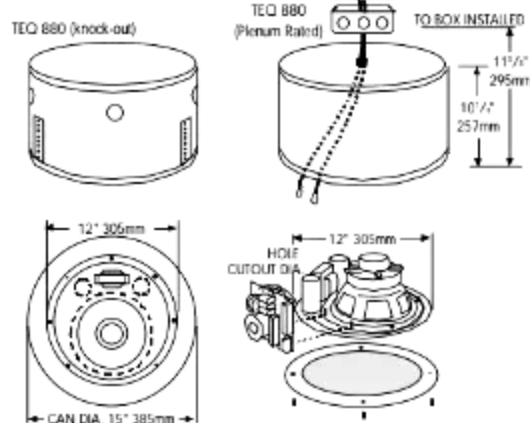
Specifications

SYSTEM TYPE	vented, full range Dual Concentric loudspeaker system
FREQUENCY RESPONSE ± 3 dB	47 Hz -20 kHz
SENSITIVITY(@1 W @ 1M)	92 dB
MAXIMUM POWER HANDLING	180 Watts (8 Ohms)
MAX. SPL. (THP 15)	103 dB
(THP 60)	109 dB
(8 ohms)	115 dB
NOMINAL IMPEDANCE	8 Ohms
DISPERSION	90 degrees conical
INTERNAL VOLUME	28 liters
PORT DIA.	2 X 1 1/2 inches
DIMENSIONS	H 12" W15" D 15"
CROSSOVER FREQUENCY	1.8 kHz passive
CONNECTION TYPE	speed clip
TRANSFORMER (THP 60)	Max Insertion Loss 0.9 dB 33 Hz 21 kHz ± 2 dB Primary Taps 60, 30, 15, 7.5 Watt @ 70.7V Voltage Taps 25V 70.7V 100V
SYSTEM WEIGHT (in back can)	21 lb
ACCESSORIES	TRG - round grill white, TSG - square grill white (2 piece system) TTB - tile bridge, TEC 800 - back can
LF DRIVER	8" molded cone with rubber surround
HF DRIVER	1" duralumin dome

CMS 8 TDC dimensions



CMS 8 TDC assembly



Polar Charts

