

Definition

Definition

CONTENTS

INTRODUCTION	03	CONNECTION IN SINGLE WIRE MODE	05
TECHNOLOGY	03	CONNECTION IN BI-WIRE MODE	05
AMPLIFIER CHOICE	04	BI-AMPING	06
CABLE CHOICE	04	CONNECTION OF EARTH OR 'GROUND' LEAD	06
UNPACKING	04	POSITIONING AND FINE-TUNING	06
TERMINAL PANEL	04	GRILLES	06
FLOOR STANDING MODELS	04	CARE OF CABINET	06
STAND MOUNTING MODELS	04	TECHNICAL SPECIFICATIONS	07
INSTALLATION	05	SET-UP DIAGRAMS	08-011

WARRANTY

No maintenance of the Revolution loudspeaker is necessary.

Please register your Tannoy product online at www.tannoy.com.

All of our products have been produced and tested with care and precision to give first-class service.

All passive components are guaranteed for a period of five years from the date of purchase from an authorised Tannoy dealer subject to the absence or evidence of misuse, overload, or accidental damage.

All active and electronic components are guaranteed for a period of one year from the date of purchase from an authorised Tannoy dealer subject to the absence of, or evidence of, misuse, overload or accidental damage.

If at any time during this warranty period the equipment proves to be defective for any reason other than accident, misuse, neglect, unauthorised modification or fair wear and tear, we will repair any such manufacturing defect or, at our option, replace it without charge for labour, parts or return carriage.

If you suspect a problem with a Tannoy product then, in the first instance, discuss it with your Tannoy dealer. If you require further assistance then we ask that you deal directly with your local Tannoy distributor. If you cannot locate your distributor please contact Customer Services, Tannoy Ltd at the address given below.

Customer Services, Tannoy Ltd., Rosehall Industrial Estate, Coatbridge, Strathclyde ML5 4TF, Scotland

Telephone: 01236 420199 (National)
+44 1236 420199 (International)
Fax: 01236 428230 (National)
+44 1236 428230 (International)
E-mail: enquiries@tannoy.com

Do not ship any product to Tannoy without previous authorisation.

Our policy commits us to incorporating improvements to our products through continuous research and development. Please confirm current specifications for critical applications with your supplier.

INTRODUCTION

Thank you for selecting Tannoy loudspeakers developed in the UK by our dedicated team of design engineers. They are the choice of discriminating music lovers the world over. Musical excellence is designed into our loudspeakers from the start. Careful selection of the very best components combined with strict quality control procedures in the production process ensures this level of excellence is maintained.

To gain maximum performance from your loudspeakers, please take time to read this owner's manual in full before installation. Once you have set up your new loudspeakers please complete and return the registration document - this does not limit your legal rights.

Loudspeakers are electromechanical devices that 'run-in' through use; performance will therefore improve after an initial period of 24hrs use. Once they have been further run-in over a longer period, there will be clear enhancement of the stereo imaging, mid-band quality and bass performance characteristics.

We are confident that you will continue to enjoy your new Tannoy Definition loudspeakers for many years to come.

TECHNOLOGY

Dual Concentric™

Tannoy Dual Concentric™ drivers have been incorporated into the Definition loudspeakers. Intensive research and development has produced an all-new version of this proven technology that builds upon the legendary performance of this exclusive Tannoy driver design.

The time coherent, point source and constant directivity nature of the dispersion characteristics inherent in the Dual makes it an accepted industry standard in studio monitoring. By exceeding the rigorous demands of the recording and mastering environment Tannoy can ensure that playback performance in the home for multi channel home cinema, is strictly controlled to accurately reflect the sound engineers artistry. In nature all sounds emanate from a single point in space.

The high frequency unit of the Dual, centrally mounted in the throat of the main mid/bass driver, is so positioned as to acoustically replicate this single point source; delivering an incredibly natural sound with a very wide imaging 'sweet spot' that creates an expansive soundstage with remarkably focused placement of images.

Wideband™ Technology

Tannoy has incorporated its own WideBand™ technology into the design of these drivers. Not only does this exceptional in-house technology resolve fine detail of high frequency information but it also effectively enhances the listening experience throughout the whole frequency range. The WideBand™ high frequency system creates an increased immediacy, airiness and impact, making music and movie sound more natural and true to life.

Sounds contain transient information and rich harmonics beyond the range of human hearing for pure tones. Even low frequencies have leading edge transients reaching 30kHz. Tannoy WideBand™ high frequency units will accurately reproduce the leading edge of individual sounds allowing the listener to experience the entire bandwidth, by extending the frequency response well beyond that of conventional loudspeakers.

In addition, the extension of the frequency response, by fully two octaves, corrects time and phase response within the bandwidth of normal human hearing. Taking these acoustical phase anomalies beyond the audible range adds realism to the soundstage through improvements in imaging and the placement of sounds.

Audiophile Crossover

High-end components and a simple, straight philosophy combine to create a crossover with an ultra-clean signal path. Low loss laminated core inductors ensure optimum LF performance while the HF network audiophile-grade polypropylene capacitors are acoustically damped using Tannoy DMT™ technology. Non inductive metal film resistors are used in the high frequency feed. The Definition crossover sets the bench-mark for signal integrity, reproducing music with all the articulation and intelligibility of the original performance.

Deep Cryogenic Treatment

The entire crossover assembly is subject to revolutionary Deep Cryogenic Treatment (DCT), achieving unparalleled gains in resolution and creating a more natural, cohesive sound. Using a proprietary process, the Definition crossover is super-cooled to -190 degrees C and returned to room temperature over a controlled period. This permanently reduces internal stresses in the microstructure of the crossover's component materials, leading to better signal transfer and superior resolution of fine detail. One of the largest benefits is to the solder joints, which are traditionally an area of poor crystalline structure.

AMPLIFIER CHOICE

Consult the product specification as this clearly shows the acceptable power range for amplifier matching to your speakers. The high peak power handling of Tannoy loudspeakers permits responsible use with more powerful amplifiers - please read the Warranty.

As with all loudspeaker systems, the power handling is a function of voice coil thermal capacity. Care should be taken to avoid overdriving any amplifier, as this will cause output overload resulting in 'clipping' or distortion within the output signal. This, if done for any extended period, will cause damage to the speakers.

Generally an amplifier of higher power that is running hard, but free of distortion, will do less damage to the loudspeaker than a lower power amplifier continually clipping. Remember also that a high powered amplifier running at less than 90% of output power generally sounds a great deal better than a lower powered example struggling to achieve 100%. An amplifier with insufficient drive capability will not allow the full performance of the loudspeakers to be realised.

CABLE CHOICE

Always use the best quality of cable available within your budget. High quality audio signals passing from the amplifier to the loudspeaker are unusual in their demands on the cable. Wide dynamic range and frequency bandwidth information has to coexist with the ability to transmit peak currents of at least 10amps, without incurring any loss or signal impairment. This explains why the sound quality of the information reproduced by the loudspeakers is so dependant on the physical properties of the cables connecting them to the amplifier.

We would recommend that you always keep the cable runs the same length for left and right speakers. Remember, cable construction can affect the sound quality so be prepared to experiment to find a cable that suits your ear and audio system.

UNPACKING

To unpack the loudspeakers from their boxes remove tape from the top then fold the flaps right back before inverting the carton and contents. Lift the carton clear of the contents then remove all inner packaging.

It is strongly recommended that you store all the packaging to allow protected transportation in future. **(See fig.1)**

TERMINAL PANEL

An exclusive five way terminal panel has been designed for the Definition range to optimise performance further by take advantage of the driver earthing facility. Use a shielded or screened loudspeaker cable; connecting the screening termination to the earth or 'ground' (green) terminal on the loudspeaker and to the ground or earth connection on the amplifier. Alternatively if you are not using a screened loudspeaker cable but wish to utilise the earthing facility, run a single cable between the earth or 'ground' (green) terminal on the loudspeaker to the earth (ground) connection on the amplifier. **(See fig.2)**

FLOOR STANDING MODELS

Definition floor-standing models perform best with carpet piercing spikes fitted. These are supplied, along with lock nuts, and should be inserted into the threaded holes in the base of the cabinet. Level the speaker and then tighten the lock nuts firmly but without using undue force. Spike locating cups are provided in the accessory pack and these may be used to protect sensitive floor surfaces.

Warning:

Ensure that the spikes are levelled and that the lock nuts are tightened firmly. The spikes should be pushed through the carpet to locate into the flooring surface by applying pressure to the top of the cabinet.

If using on a sensitive floor surface place the protective cups under the levelled spikes. Failure to do so could render the speaker unsteady and result in damage or injury should it be knocked over.

STAND MOUNTING MODELS

Stand mounting or bookshelf speakers should be located securely on stands or a shelf in an appropriate position to place the Dual Concentric™ driver high frequency unit roughly at ear height when seated in the chosen listening position. Positioning recommendations for stand-mounted speakers can be found under the section entitled Positioning and fine-tuning. For the centre speakers, locate on the plinth provided.

INSTALLATION

To avoid potential damage to your loudspeaker, ensure that the amplifier is switched OFF prior to connecting or disconnecting any cables. Before switching on double check that all connections are secure and that polarity is correct.

CONNECTION IN SINGLE WIRE MODE

The terminal panels have captive link bars fitted as standard to link the positive and negative HF and LF terminals respectively. These must be removed to bi-wire the speakers - see section entitled Connection in Bi-wire mode.

For optimum performance in single wire mode, loudspeaker cable connections from the amplifier should be made to the high frequency (HF) terminals of the loudspeaker: **(See fig. 3)**

- The positive (plus) terminal on the amplifier left channel (marked + or coloured red) must be connected to the positive HF terminal on the left speaker. The left speaker is the one on the left as you look at the stereo pair from your listening position.
- The negative (minus) terminal on the amplifier left channel (marked - or coloured black) must be connected to the negative HF terminal on the left speaker.
- Repeat this connection process for the right speaker. Remember that the positive (+ or red) on the amplifier must be connected to the positive (+ or red) on the speaker and the negative (- or black) to negative.
- Select a signal source, such as a CD player; switch on the amplifier and slowly turn up the volume control to check that both loudspeakers are reproducing bass and treble information.

CONNECTION IN BI-WIRE MODE

Please note in bi-wire mode that the link bars must be removed. Unscrew the knurled nuts on both the positive and negative HF and LF terminals and remove the link bars and then replace the colour coded nuts, as they will be required to clamp the bi-wire cables in place. Retain the link bars in a safe place for possible future use.

(See fig. 4)

- Be sure that the amplifier is switched **off** and then prepare the two sets of cabling for each 'side' of the system separately. Measure and cut four lengths of cable, two per speaker.

Label two of the cable lengths Left LF and Left HF (low frequency and high frequency) then repeat this process for the right pair.

- If your amplifier is not equipped with separate output terminals for bass and treble information then, at the amplifier end of the cables, twist the Left LF+ (positive) and the Left HF+ (positive) together. Connect these to the amplifier Left channel positive terminal marked + (plus) or coloured red.

Twist the Left LF- (negative) and the HF- (negative) cables together and connect them to the amplifier Left channel negative terminal marked - (minus) or coloured black.

At the loudspeaker end connect the cables labelled Left LF+ and Left LF- to the left hand loudspeaker LF terminals, ensuring that you note the polarity markings on the cable sheathing.

Then proceed to connect the Left HF+ and Left HF- to the HF terminals on the same loudspeaker.

- Repeat this process to connect the right hand loudspeaker to the amplifier right channel output, once again ensuring that polarity is correct throughout.
- Switch the amplifier on with the volume control set at its lowest setting. Select a favourite source and slowly turn up the volume to a low level. Check that bass and treble information is being reproduced from both speakers - if not, switch off the amplifier and recheck the connections.

BI-AMPING

Bi-Amping extends the principle of bi-wiring one stage further. In this connection option separate power amplifiers are used for bass and treble signals in each loudspeaker. Four mono (or two stereo) amplifiers of the same type are required for a stereo pair of loudspeakers. Ensure that the cable links between the loudspeaker terminals are removed and that correct polarity is maintained throughout.

If two stereo amplifiers are used, it is recommended that one amplifier supply bass information to left and right loudspeakers and the other, the treble information. **(See fig. 5)**

CONNECTION OF EARTH OR 'GROUND' LEAD

Use of a shielded or screened loudspeaker cable will offer further performance advantages when used with the five-way terminal panel. The screening termination should be connected to the earth or ground (green) terminal on the loudspeaker and to the ground or earth connection on the amplifier. Alternatively if you are not using a screened loudspeaker cable but wish to utilise the earthing facility, run a single cable between the earth or 'ground' (green) terminal on the loudspeaker to the earth (ground) connection on the amplifier.

Avoid potential damage to your amplifier - ensure that all connections are secure and the polarity is correct in all wiring. (Method illustrated on all terminal panel sketches)

POSITIONING AND FINE-TUNING

To get best results from your new Tannoy Definition loudspeakers it is worthwhile spending a little time finding the optimum set-up configuration.

Begin by angling the speakers towards your chosen listening position, usually this is on the centre line of the room, so that when seated you can just see the inner side panel of each speaker. The front of the loudspeaker should not be obstructed in any way. The loudspeakers should be located between 1.5 to 4.5 metres (5ft to 15ft) apart - with the listening position set slightly further away than the speakers are apart. Avoid positioning the loudspeakers in corners of the room, as this will have a negative effect on performance. Ideally, maintain a distance of at least 0.5 metres (20 inches) from the rear wall, and 1 metre (39 inches) from the side.

With the speaker in its listening position, rock the loudspeaker gently from side to side so that the spikes find their way through the weave of the carpet and on to the solid surface below. Once fine adjustments have been made to the spikes, to level the loudspeaker and ensure stability, tighten the lock nuts firmly but without using undue force **(See fig. 6)**.

GRILLES

The main Definition grille has been designed to provide acoustic transparency. However, for ultimate fidelity the enthusiast will appreciate the slight improvement in clarity and detail that is achieved by removing the grilles during listening.

CARE OF CABINET

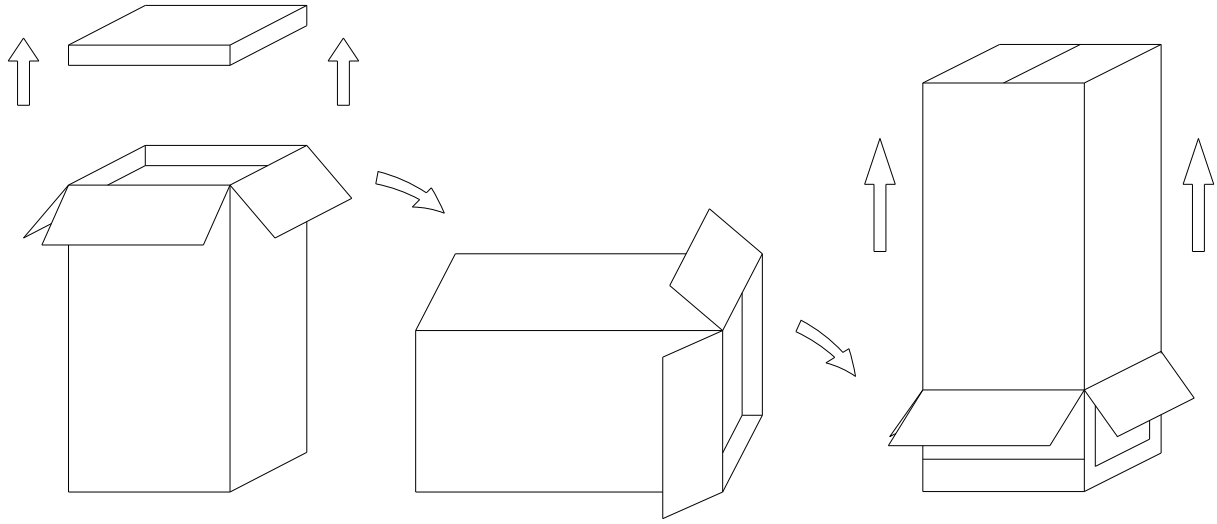
The cabinets should only be cleaned with a dry cloth or with a light application of quality non-silicone furniture polish.

TECHNICAL SPECIFICATIONS

	DC8	DC8 T	DC10 T
PERFORMANCE			
Recommended amplifier power (Watts RMS)	30 – 175	30 – 200	30 – 250
Continuous power handling (Watts RMS)	87	100	125
Peak power handling (Watts)	350	400	500
Sensitivity (2.83 Volts @ 1m)	88dB	89dB	92dB
Nominal Impedance (Ohms)	8	8	8
Frequency response (-6dB)	42Hz – 35kHz	33Hz – 35kHz	30Hz – 35kHz
Dispersion (degrees conical)	90	90	90
DRIVE UNITS			
Dual Concentric™ high frequency	25mm (1") Titanium dome with Tulip WaveGuide™	25mm (1") Titanium dome with Tulip WaveGuide™	25mm (1") Titanium dome with Tulip WaveGuide™
Dual Concentric™ low frequency	200mm (8") treated paper pulp cone with rubber surround. 44mm (1.75") edge wound voice coil	200mm (8") treated paper pulp cone with rubber surround. 44mm (1.75") edge wound voice coil	250mm (10") treated paper pulp cone with twin roll impregnated fabric surround. 44mm (1.75") edge wound voice coil
Bass Driver	-	200mm (8") treated paper pulp cone with rubber surround. 44mm (1.75") edge wound voice coil	250mm (10") treated paper pulp cone with twin roll impregnated fabric surround. 44mm (1.75") edge wound voice coil
CROSSOVER			
Crossover frequency	1.5kHz	1.5kHz	200Hz, 1.4kHz
Crossover Type	Passive low loss 2nd order LF, 1st order HF Deep Cryogenically Treated	Passive low loss 2nd order LF, 1st order HF Deep Cryogenically Treated	Passive low loss 2nd order LF, 1st order HF Deep Cryogenically Treated
CONSTRUCTION			
Enclosure type	Rear ported	Rear ported	Rear ported
Volume	19L (0.67 cu. ft.)	43L (1.52 cu. ft.)	76L (2.68 cu. ft.)
Dimensions (H x W x D) excl grille	470 x 271 x 238mm (18.5 x 10.7 x 9.4")	1025 x 271 x 238mm (40.4 x 10.7 x 9.4")	1125 x 339 x 330mm (44.3 x 13.4 x 13")
Finish	High gloss black High gloss cherry High gloss dark walnut	High gloss black High gloss cherry High gloss dark walnut	High gloss black High gloss cherry High gloss dark walnut

SET-UP DIAGRAMS

Fig.1 Unpacking



SET-UP DIAGRAMS

Fig.2 DC Terminal Panel

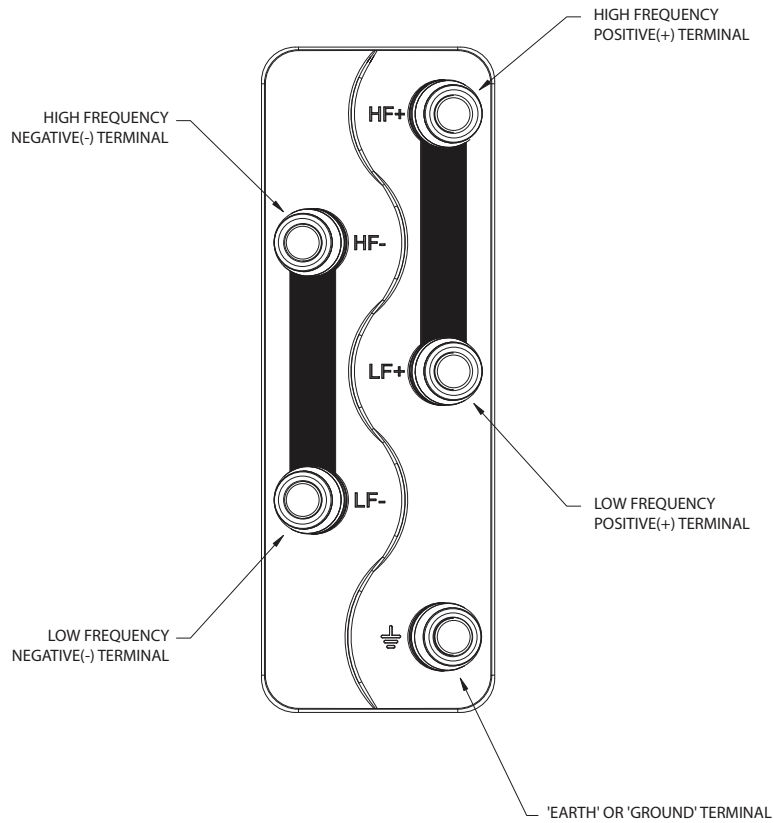
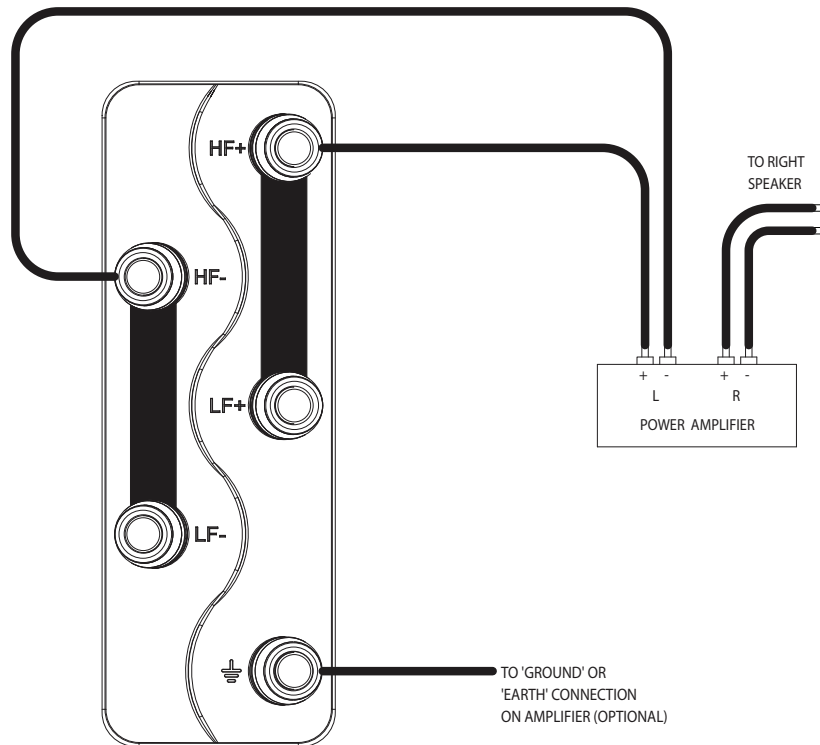


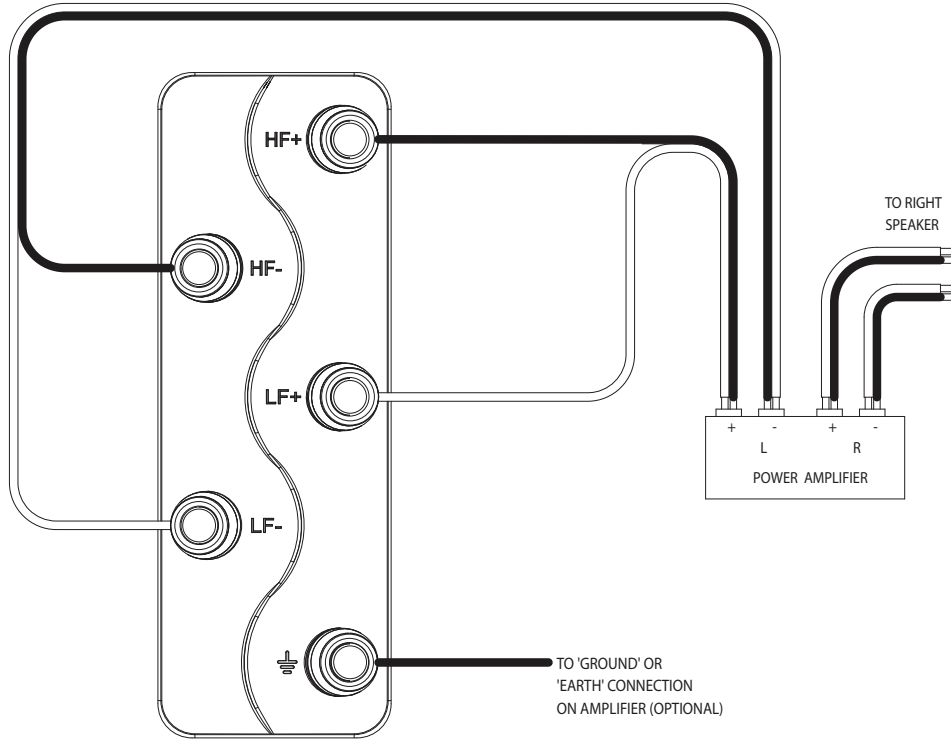
Fig.3 Single Wire Mode



LINKS IN PLACE

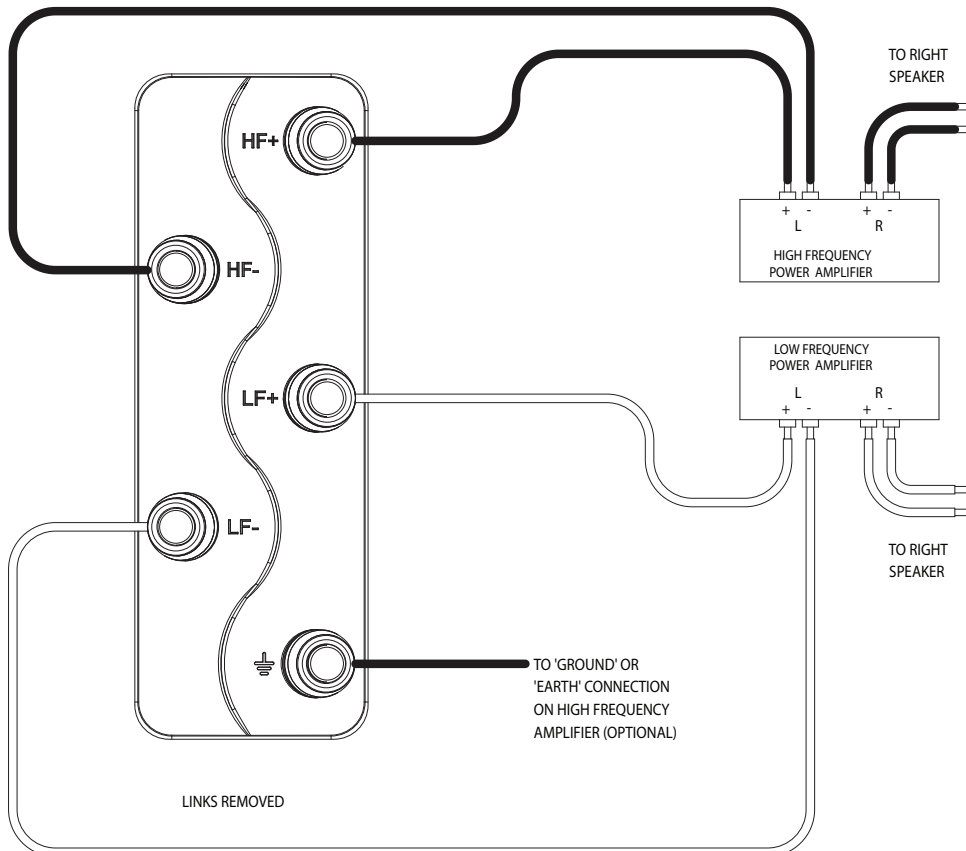
SET-UP DIAGRAMS

Fig.4 Bi-Wire Mode



LINKS REMOVED

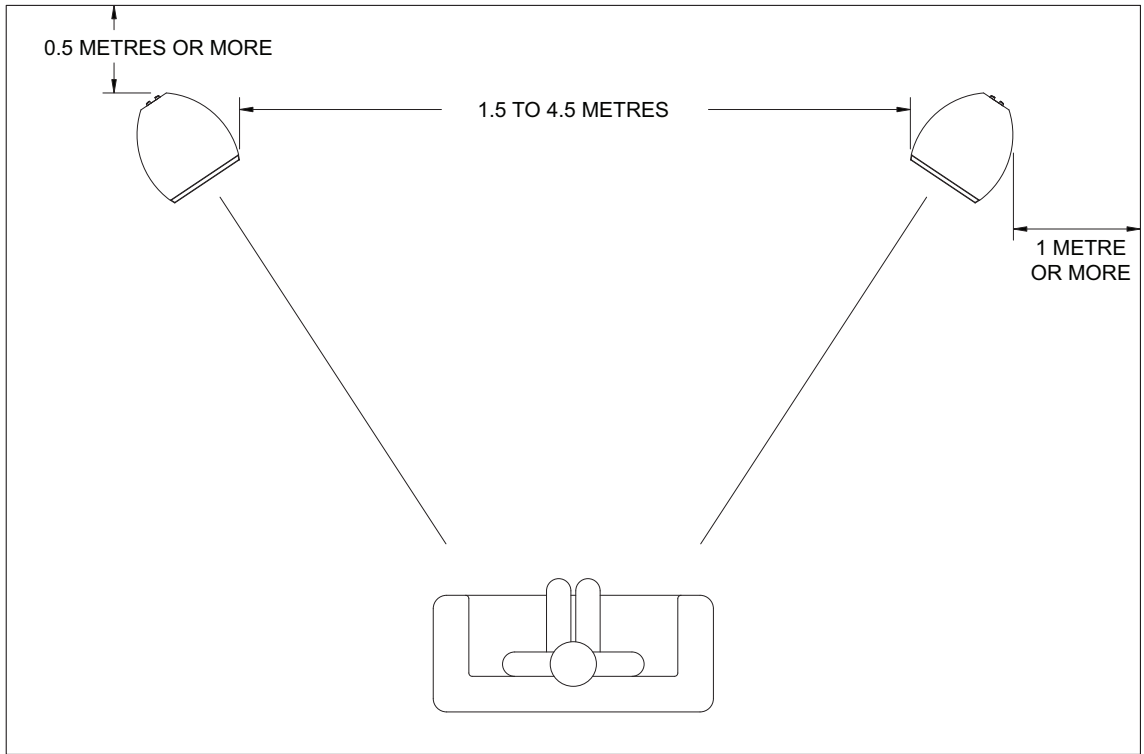
Fig.5 Bi-Amp Mode



LINKS REMOVED

SET-UP DIAGRAMS

Fig.6 Recommended Positioning - Stereo Pair



Tannoy United Kingdom	T: 00 44 (0) 1236 420199	E: enquiries@tannoy.com
Tannoy North America	T: 00 1 (519) 745 1158	E: inquiries@tannoyna.com
Tannoy Deutschland	T: 00 49 (180) 1111 881	E: anfragen@tannoy.com
Tannoy France	T: 00 33 (0)1 7036 7473	E: ventes@tannoy.com



Tannoy adopts a policy of continuous improvement and product specification is subject to change.

tannoy®.com