



You want good solutions to audio problems but don't always want to see the loudspeakers. So when it comes to wall-mounted speakers, Tannoy has adopted a refreshingly different approach by offering most of its renowned cabinet systems in a flush-mountable format. Now you can have the same quality as a box loudspeaker, but in a discreet installation – flush mounting no longer means poor quality.

With this background philosophy, the m2iw and S8iw in-wall speakers are designed to cater for the most demanding customers in boardrooms, themed visitor attractions, shops, and residential installations. The laminated MDF baffle provides the best structural integrity, and is paintable to allow installers to blend it into any environment. The S8iw has the additional feature of a Point Source drive unit, providing the most consistent sound over a wide area.

### APPLICATIONS

- Music Playback
- Multimedia/Film Playback
- Teleconferencing and Videoconferencing

### VENUES

- Conference Rooms
- Visitor Attractions
- Restaurants
- Bars
- Retail Outlets
- Multi-room Residential

### FEATURES

- 30mm MDF baffle for structural rigidity
- 4-clamp mounting system allows simple installation
- Point Source drive unit (S8iw)
- Paintable finish to blend with any decor



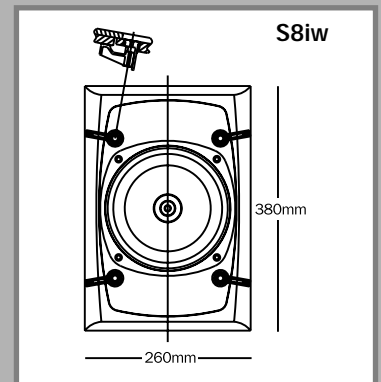
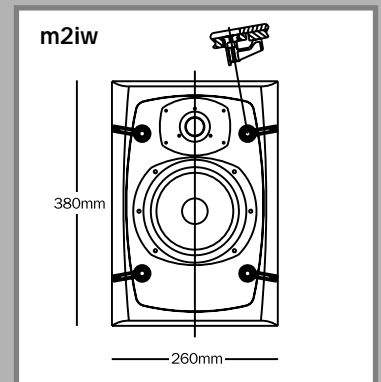
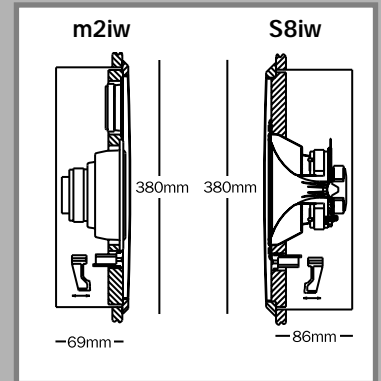
## TECHNICAL SPECIFICATIONS

Frequency Response (1) ± 3dB		m2iw S8iw	65Hz-20kHz 47Hz-20kHz
Recommended Amplifier Power		m2iw S8iw	30-100W into 8Ω 60-180W into 8Ω
Power Handling (2)	Average	m2iw S8iw	50W rms 90W rms
	Programme	m2iw S8iw	100W rms 180W rms
Sensitivity (3) 2.83v @ 1m		m2iw S8iw	90dB 92dB
Nominal impedance		m2iw S8iw	8Ω 8Ω
Driver Complement		m2iw S8iw	HF - 1 x 1" (25mm) soft dome LF - 1 x 6.5" (165mm) cone driver 1 x 8" (200mm) Constant Directivity Dual Concentric
Dimensions, front panel baffle (Both models)			385mm x 260mm x 30mm (H x W x D) 15" x 10.5" x 1.2" (H x W x D)
Mounting depth		m2iw S8iw	69mm (2.6") 86mm (3.4")
Recommended in-wall mounting volume		m2iw S8iw	15 litres (0.5 cu. ft.) 25 litres (0.53 cu.ft.)
Weight		m2iw S8iw	2.75kg (6lbs.) 4kg (8.8lbs)

### NOTES:

- (1) ±3dB, measured at 1m in anechoic chamber in a critically tuned enclosure
- (2) Long term power handling capacity as defined in EIA standard RS426A
- (3) Averaged over specified bandwidth for half-space environment. For anechoic conditions the figure is to be decreased by 3dB

Tannoy operates a policy of continuous research and development. The introduction of new materials or manufacturing methods will always equal or exceed the published specifications, which Tannoy reserves the right to alter without prior notice. Please verify the latest specifications when dealing with critical applications



**Tannoy Ltd.**, Professional Division, Coatbridge, ML5 4TF, Scotland  
Tel: +44 (0)1236 420199 Fax: +44(0)1236 428230  
e-mail: [prosales@tannoy.com](mailto:prosales@tannoy.com) Website: [www.tannoy.com](http://www.tannoy.com)

**Tannoy/TGI North America Inc.**, Suite 1, 335 Gage Avenue, Kitchener, Ontario, Canada, N2M 5E1  
Tel: (519) 745 1158 Fax: (519) 745 2364  
e-mail: [inquiries@tgina.com](mailto:inquiries@tgina.com) Website: [www.tannoy.com](http://www.tannoy.com)

**Tannoy Nederland b.v.**, Anthonetta Kuijlstraat 19, 3066 GS Rotterdam  
Tel: (010) 286 0555 Fax: (010) 286 0431  
e-mail: [info@tannoy.nl](mailto:info@tannoy.nl) Website: [www.tannoy.nl](http://www.tannoy.nl)