

TANNOY

T12/i12



The T12 and i12 sound reinforcement loudspeakers from Tannoy both utilize Tannoy's unique Point Source technology. The high-powered 12 inch Dual Concentric™ features 60 degree conical dispersion and a halogen high frequency protection system.

The T12 features a recessed carrying handle, pole mount and a rugged, multiple ply hardwood cabinet. Structural integrity is further enhanced by internal steel braces, which double as the flying points accepting M8 eyebolts strategically placed to distribute the weight of the enclosure evenly.

The T12's wedge profile, birch ply enclosure makes it ideal for low profile ceiling mounting in landscape configuration. The T12 can also be used as a low profile stage monitor, where its conical coverage pattern allows the performer greater freedom of movement than with conventional horn loaded designs.

While delivering the same performance as the T12 and utilising the same transducer and high power, low-loss crossover components, the i12 is designed for fixed installations. The i12 is made from MDF and incorporates eyebolt fixing points for quick and simple installation.

The T12 and i12 are designed for use with the optional TX2 controller, which will equalize the system for optimum performance as well as providing a 2-way crossover point at 100HZ for use with separate sub-bass systems.

APPLICATIONS

- Theatre Front of House and effects
- Acoustic Concert reinforcement
- Prestige Cabaret and Club reinforcement
- Theme pubs/nightclubs and restaurants
- Audio visual presentations
- Movie Theatre/Cinema
- High quality public address
- Religious facilities

FEATURES

- Exceptional sound quality
- Compact, versatile enclosure
- Point Source
- Constant directivity
- Wide dispersion
- High power handling
- High efficiency and low distortion
- Halogen HF protection
- Integral flying points

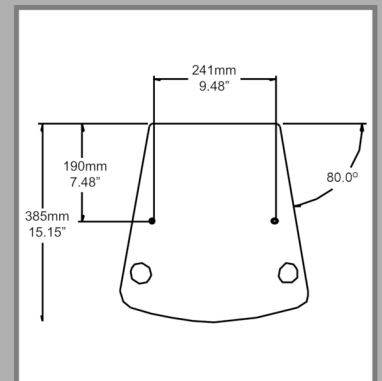
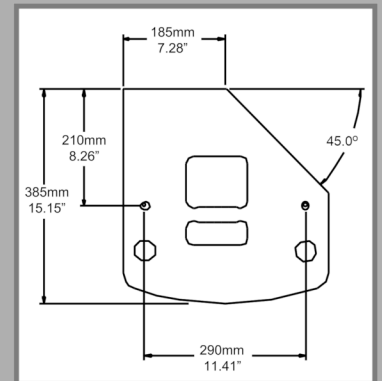
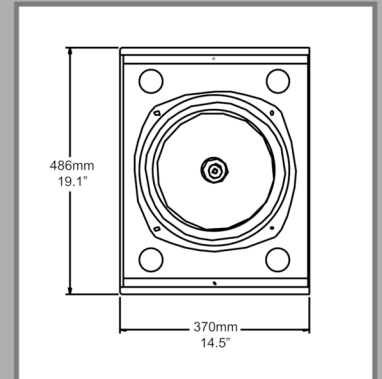
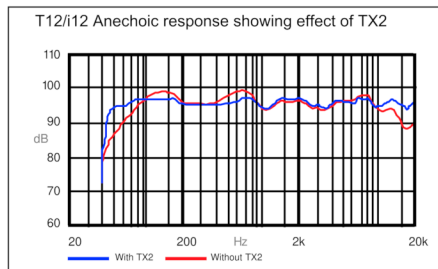


TECHNICAL SPECIFICATIONS

Frequency Response (1) +/-3dB	70Hz-25kHz 45Hz-25kHz (with TX2 controller)
Recommended Amplifier Power	200-400Watt/8 Ohms
Power Handling (2)	Average: 200Watt Programme: 400Watt Peak (10ms): 800Watt
Sensitivity (1) 2.83v @ 1m	97dB (Anechoic) 100dB (Half Space)
Maximum SPL(3) @ 1m	Average: 120dB Peak: 126dB
Impedance	Nominal: 8 Ohm Minimum: 6.1 Ohm
Dispersion (-6dB)	60degrees conical
Driver Complement	1 x 300mm - 12" Constant Directivity Dual Concentric™ Type number 3412
Crossover	Passive 1.5kHz 2nd order high pass, 2nd order low pass Halogen & Auto-Reset HF protection
Enclosure	T12: 38.7 litre vented, 15mm -.5" birch plywood i12: 38.7 litre vented, 15mm -.5" MDF
Finish	Textured black/grey paint
Protective Grille	Perforated steel, black with 58% free airflow
Connectors	2 x Speakon NL4MP, in/out
Rigging/Fittings	T12: 1 x recessed carrying handle T12: 1 x 35mm pole mounting socket T12/i12: 8 x M8 flying inserts & 1 x M8 pullback point
Dimensions (H×W×D)	486mm x 370mm x 385mm 19.3" x 14.57" x 15.15"
Weight	20kg - 44lbs

- (1) Average over stated bandwidth. Measured at 1m on axis in an anechoic chamber
 (2) Long term power handling capacity as defined in EIA standard RS-426A
 (3) Unweighted pink noise input, measured at 1m

Tannoy operates a policy of continuous research and development. The introduction of new materials or manufacturing methods will always equal or exceed the published specifications, which Tannoy reserves the right to alter without prior notice. Please verify the latest specifications when dealing with critical applications



Tannoy Ltd., Professional Division, Coatbridge, ML5 4TF, Scotland
 Tel: +44 (0)1236 420199 Fax: +44(0)1236 428230
 e-mail: prosales@tannoy.com

Tannoy North America, 335 Gage Avenue, Suite One, Kitchener, Ontario, N2M 5E1, Canada
 Tel: (519)745-1158 Fax: (519)745-2364 Toll Free Dealer Fax: (800)525-7081
 e-mail: inquiries@tannoyna.com

Tannoy Nederland b.v., Anthonetta Kuyjistraat 19, 3066 GS Rotterdam
 Tel: (010) 2860554 Fax: (010) 2860431
 e-mail: info@tannoy.nl website: www.tannoy.nl